

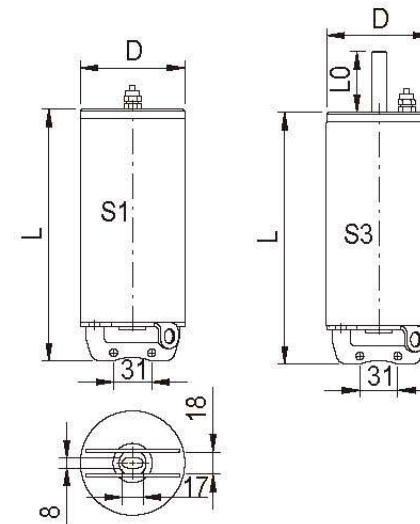


Jui Ming Metal Industrial Co., Ltd.

# BUTTERFLY VALVES



# BUTTERFLY VALVES



## Actuator

### S1&S3 /S104 Actuator

Size	For butterfly valve	D	L	L0
S1	1"-3" Dn25-76	85	205	
S3	1"-3" Dn25-76	85	205	50.5
S104	4" Dn104	120	250	

### Actuator Data

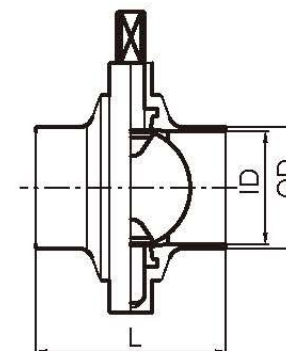
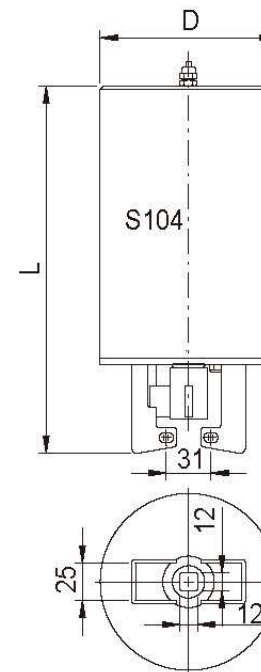
S1/S3 : Shut-off time:1.5 second / Weight : 3.85KGS.  
 S104 : Shut-off time:1.7 second / Weight : 4.7KGS.

### Technical data

Max. air pressure: .....7bar(700kPa).  
 Min. air pressure, NC and NO: .....5bar(500kPa)  
 Temperature range: .....-25°C to +90°C.  
 Air consumption (litres free air) S1/S3.....0.24\*P(bar).  
 Air consumption (litres free air) S104.....0.55\*P(bar).  
 Signal transfer :S1/S104 can be connect with M12 screw proximity switch (PNP or NPN)  
 Signal transfer :S3 can be connect with M12 screw proximity switch(PNP or NPN) or control box.

### Material:

Actuator body: .....Stainless steel AISI 304.  
 Piston : .....POM.  
 Seal : .....NBR.



### 焊式蝶閥

#### 3A Weld Butterfly valves

SIZE	ID	OD	L
1.0"	22.1	25.4	48
1.5"	34.8	38.1	48
2.0"	47.5	50.8	52
2.5"	60.2	63.5	54
3.0"	72.2	76.2	62
4.0"	97.6	101.6	80

#### SMS Weld Butterfly valves

SIZE	ID	OD	L
DN25	22.5	25	68
DN38	35.4	38	76
DN51	48	51	80
DN63	60.2	63.5	80
DN76	72.1	76.1	82
DN104	100	104	88

#### DIN Weld Butterfly valves

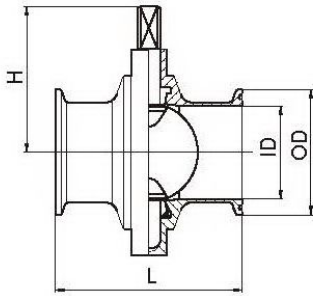
SIZE	ID	OD	L	H
DN28	25	28	68	61
DN34	31	34	76	64.3
DN40	37	40	76	74.3
DN52	49	52	80	77.6
DN70	66	70	82	84.8
DN85	81	85	84	91.6
DN104	100	104	88	101.6



# BUTTERFLY VALVES

## 3A夾式碟閥(長型)

### 3A Clamp Butterfly valves



SIZE	ID	OD	L	H
1.0"	22.1	50.5	90	61
1.5"	34.8	50.5	90	64.3
2.0"	47.5	64	95	74.3
2.5"	60.2	77.5	97	77.6
3.0"	72.2	91	103	84.8
4.0"	97.6	119	103	101.6
6.0"	146.4	166.8	143	133.5

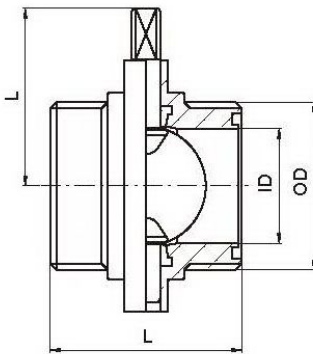
## 3A夾式碟閥

### 3A Clamp Butterfly valves

SIZE	ID	OD	L	H
1.0"	22.1	50.5	70	61
1.5"	34.8	50.5	70	64.3
2.0"	47.5	64	75	74.3
2.5"	60.2	77.5	80	77.6
3.0"	72.2	91	85	84.8
4.0"	97.6	119	100	101.6

## SMS牙口碟閥

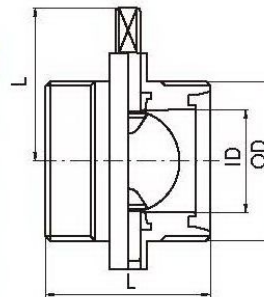
### SMS Male Butterfly valves



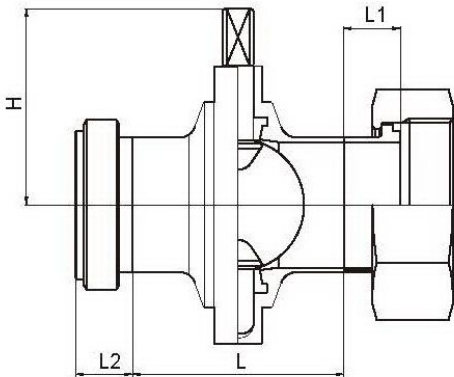
SIZE	ID	OD	L	H
DN25	22.5	RD10*1/6	68	61
DN38	35.4	RD61*1/6	76	64.3
DN51	48	RD70*1/6	80	74.3
DN63	60.2	RD85*1/6	80	77.6
DN76	72.1	RD98*1/6	82	84.8
DN104	100	RD125*1/4	88	101.6

## DIN牙口碟閥

### DIN Male Butterfly valves



SIZE	ID	OD	L	H
DN28	25	RD52*1/6	68	61
DN34	31	RD58*1/6	76	64.3
DN40	37	RD65*1/6	76	74.3
DN52	49	RD78*1/6	80	77.6
DN70	66	RD95*1/6	82	84.8
DN85	81	RD110*1/4	84	91.6
DN104	100	RD130*1/4	100	101.6



## IDF由任碟閥

### BUTTERFLY VALVES

#### IDF Male part - nut and liner

SIZE	L	L1	L2	H
1.0"	68	21.5	16.5	61
1.5"	76	21.5	19.5	64.3
2.0"	80	21.5	19.5	74.3
2.5"	80	21.5	25.0	77.6
3.0"	82	21.5	30.0	84.8
4.0"	88	30.0	35.0	101.6

## SMS由任碟閥

### SMS Male part - nut and liner

SIZE	L	L1	L2	H
DN25	68	15.5	19	61
DN38	76	16.0	23	64.3
DN51	80	17.0	23	74.3
DN63.5	80	17.0	27	77.6
DN76	82	19.0	27	84.8
DN104	88	19.0	30	101.6

## RJT由任碟閥

### RJT Male part - nut and liner

SIZE	L	L1	L2	H
1.0"	68	19.5	27.0	61
1.5"	76	19.5	27.0	64.3
2.0"	80	19.5	27.0	74.3
2.5"	80	19.5	27.0	77.6
3.0"	82	19.5	27.0	84.8
4.0"	88	23.5	27.0	101.6

## DIN由任碟閥

### DIN Male part - nut and liner

SIZE	L	L1	L2	H
DN28	68	22	29	61
DN34	76	25	32	64.3
DN40	76	26	33	74.3
DN52	80	28	35	77.6
DN70	82	32	40	84.8
DN85	84	37	45	101.6
DN104	88	44	54	101.6