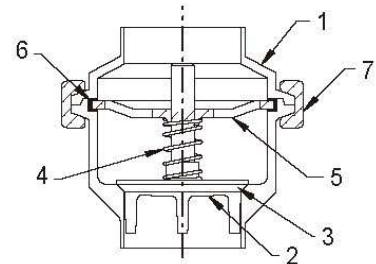


NON-RETURN VALVES



Jui Ming Metal Industrial Co., Ltd.





NO.	Name
1	Body
2	Disc
3	Seal Ring
4	Spring
5	Plate
6	Ring
7	Clamp

Fig 1. Non-return valve

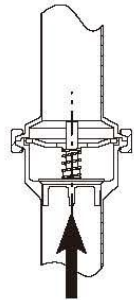


Fig.3. Show the optimal built-in situation. Other positions permitted are e.g. horizontal.

The four guide legs of the valve cone ensures good alignment.

Flow direction

Material

- Steel parts: Stainless steel AISI 304 or acid-resistant steel AISI 316L.

- Seal ring: EPDM rubber
- Finish: Semi bright.

Connections

The valve is available with welding ends for tubes according to 3A, SMS, BS, DIN 1 1850.

Technical data

Required differential pressure for opening the valve when fitted in a vertical pipe, as shown in fig.3, is approx. 6kpa(0.06bar).

- Max. product pressure: 1000kpa(10bar).
- Max. temperature: 140°C(EPDM).
- Min. temperature: -10°C.

Options

Material grades

- A) Product wetted seal rings of nitrile(NBR) or Fluorinated rubber (FPM).

Odering

Please state the following when ordering:

- Size.
- Steel grade, AISI 304 or AISI 316L.
- Rubber grade if not EPDM.

Pressure drop / capacity diagram

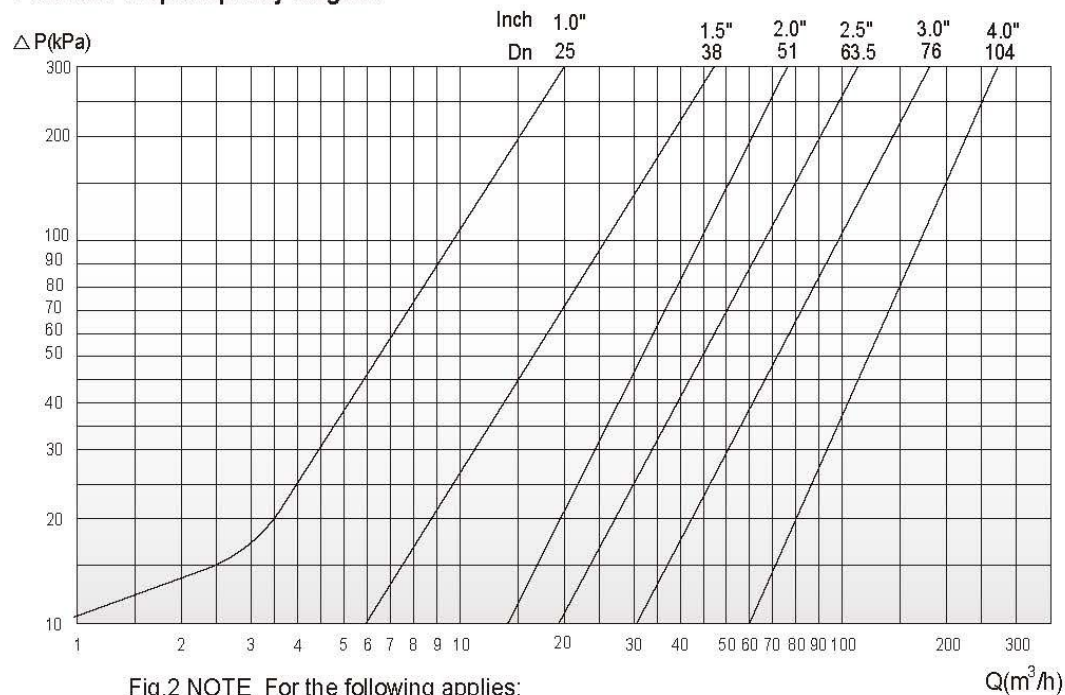
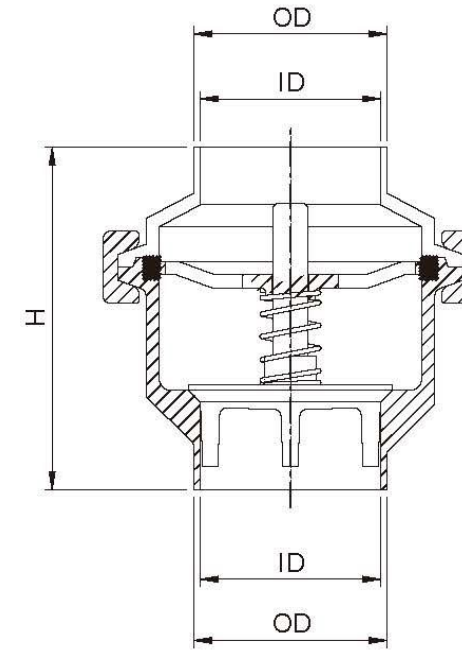


Fig.2 NOTE For the following applies:

Medium: Water(20°C)

Measurement: In accordance with VDI 2173



3A 焊式逆止閥

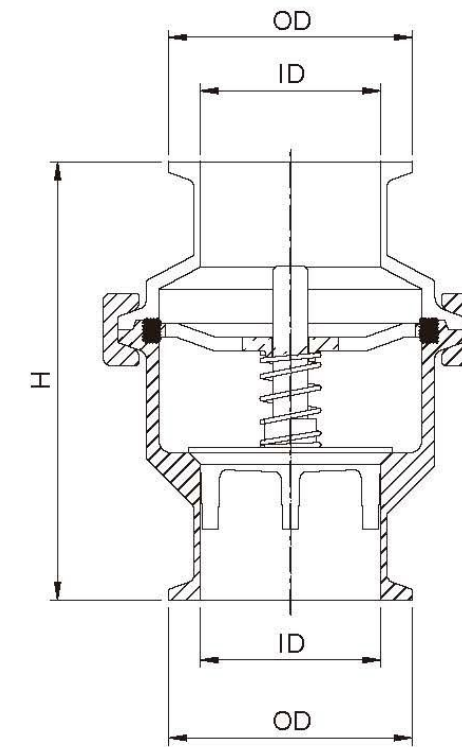
3A Weld Non-return valve

SIZE	ID	OD	H
1.0"	22.1	25.4	68.5
1.5"	34.8	38.1	80.5
2.0"	47.5	50.8	90
2.5"	60.2	63.5	95
3.0"	72.2	76.2	105
4.0"	97.6	101.6	105

SMS 焊式逆止閥

SMS Weld Non-return valve

DN	ID	OD	H
25	22.5	25	68.5
38	35.4	38	80.5
51	45	51	90
63	60.5	63.5	95
76	72	76	115
104	100	104	155



DIN 焊式逆止閥

DIN Weld Non-return valve

DN	ID	OD	H
28	25	28	68.5
34	31	34	80.5
40	37	40	80.5
52	49	52	90
70	66	70	115
85	81	85	120
104	100	104	155

3A 夾式逆止閥

3A Clamp Non-return valve

SIZE	ID	OD	H
1.0"	22.1	50.5	88.6
1.5"	34.8	50.5	94.3
2.0"	47.5	64	105
2.5"	60.2	77.5	116
3.0"	72.2	91	123.5
4.0"	97.6	119	123.5