

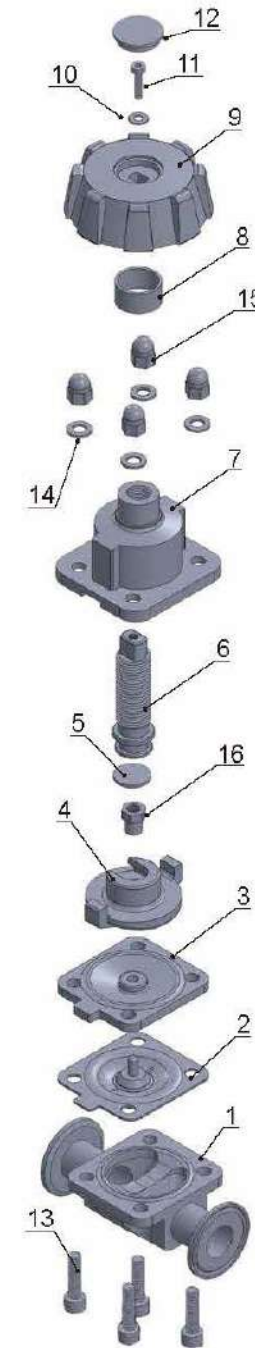


Jui Ming Metal Industrial Co., Ltd.

DIAPHRAGM VALVE



(3A)DIAPHRAGM VALVE 手動隔膜閥



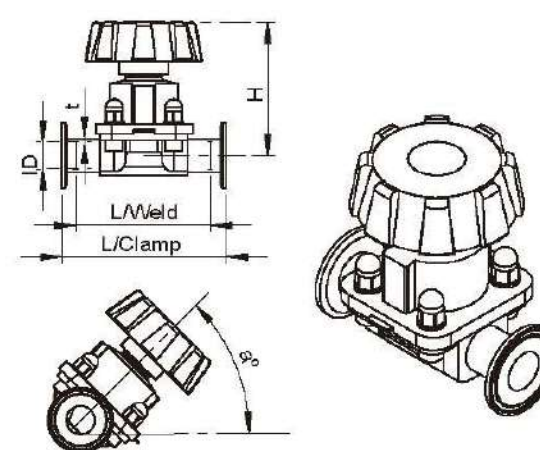
NO	PART NAME	QTY	MATERIAL
1	Diaphragm Valve Body	1	SS316L
2	Seal	1	PTFE
3	Seal	1	EPDM
4	Seat	1	SS304
5	Ring	1	POM
6	Shaft	1	SS304
7	Bonnet	1	SS304
8	Positioning Ring	1	NYLON
9	Handle Wheel	1	NYLON
10	Ring	1	SS304
11	Screw	1	SS304
12	Cover	1	NYLON
13	Screw	4	SS304
14	Spring Ring	4	SS304
15	Nut	4	SS304
16	Nut	1	SS304

Technical data:

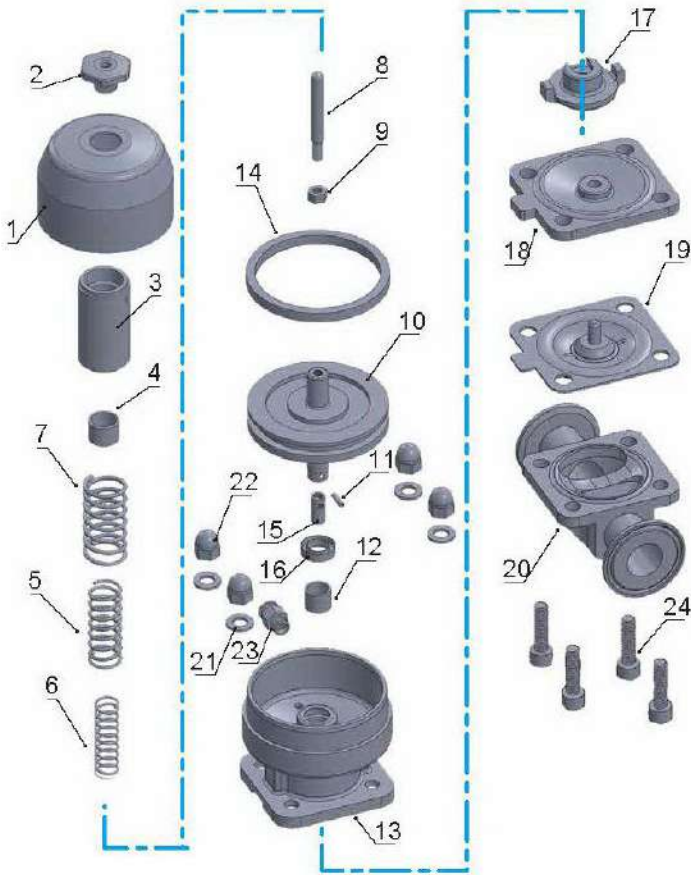
- Max product pressure : 10bar
- Max temperature : 90°C(EPDM)
- Min temperature : -10°C
- The valve body material : SS316L
- Diaphragm materials : PTFE+EPDM
- Working temperature : -20°C to 150°C
- ASME BPE : Weld/Clamp
- Maximum pressure, valve body : 10 bar
- Maximum pressure, valve seat : 6 bar

Valve body surface finishes, internal finish

- Ra<0.6µm mechanically polished internal, blasted external
- Ra<0.6µm electropolished internal/external
- Ra<0.4µm mechanically polished internal, blasted external
- Ra<0.4µm electropolished internal/external
- Ra<0.25µm mechanically polished internal/external
- Ra<0.25µm electropolished internal/external

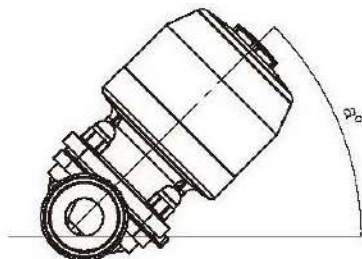
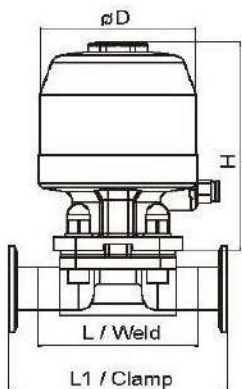
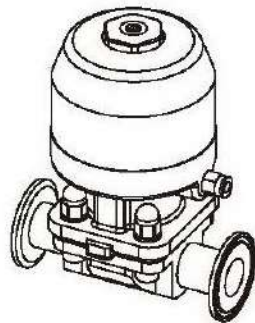


Size	ID	I	H/NC	L/Weld	L/Clamp	α°	Part Number	
							Weld	Clamp
1/2"	9.5		75	108	108	41°	1607101-008047	1607102-008047
3/4"	15.8		75	108	108	33°	1607101-008067	1607102-008067
1.0"	22.1	1.65	116	120	127	25°	1607101-008107	1607102-008107
1.5"	34.8		136	153	159	24°	1607101-008147	1607102-008147
2.0"	47.5		136	173	190	30°	1607101-008207	1607102-008207



NO	PART NAME	QTY	MATERIAL
1	Cover	1	SS304
2	Nut	1	SS304
3	Stem	1	SS304
4	Bush	1	PEEK
5	Spring	1	SS304
6	Spring	1	SS304
7	Spring	1	SS304
8	Piston Stem	1	SS304
9	M5 Nut	1	SS304
10	Pinston	1	SS304
11	Pin	1	SS304
12	Bush	1	PEEK
13	Bonnet	1	SS304
14	U Ring	1	NBR
15	Piston	1	SS304
16	U Ring	1	NBR
17	Seat	1	SS304
18	Seal	1	EPDM
19	Seal	1	PTFE
20	Diaphragm Valve Body	1	SS316L
21	Spring Ring	4	SS304
22	M8 Nut	4	SS304
23	Air connection 1/8 Gas	1	Cu
24	Screw	4	SS304

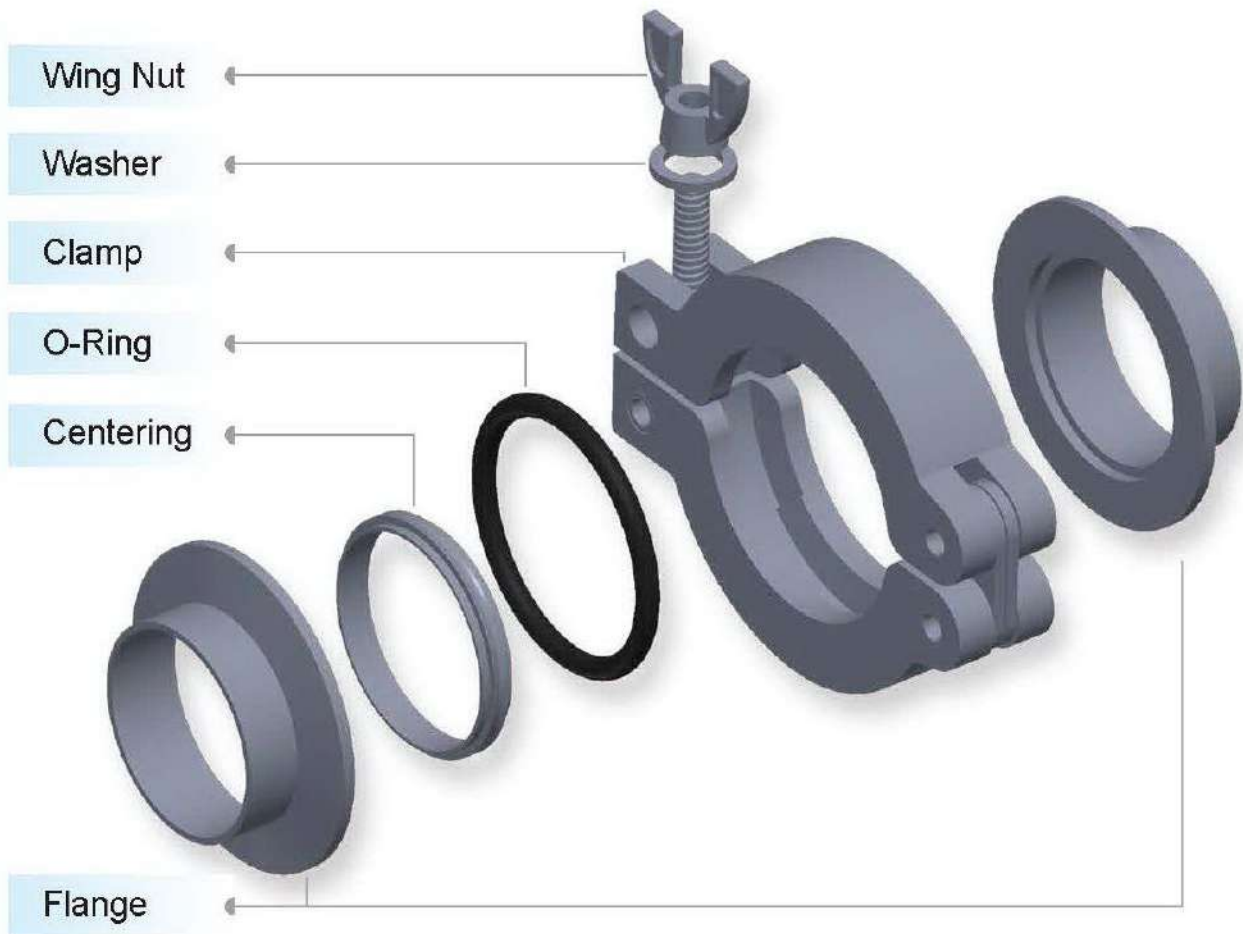
NO	Material	Working pressure(max)
1	EPDM	10bar
2	PTFE/EPDM	6bar



Standard:

- The valve body material : SS316L
- Diaphragm materials : PTFE+EPDM
- Working temperature : -20°C to 150°C
- Surface finish : Internal surface finishes Ra<0.4 mm
- ASME BPE : Weld/Clamp
- Maximum pressure valve body : 1.0Mpa
- Maximum pressure valve seat : 0.6Mpa
- Operating air pressure : 0.4Mpa

SIZE	L	L1	ϕD	H	ϕ°	Part Number	
						Weld	Clamp
1/2"	108	108	60	77	41°	1607111-008047	1607112-008047
3/4"	108	108	60	100	33°	1607111-008067	1607112-008067
1.0"	120	127	90	130	25°	1607111-008107	1607112-008107
1.5"	153	159	114	168	24°	1607111-008147	1607112-008147
2.0"	173	190	144	200	30°	1607111-008207	1607112-008207



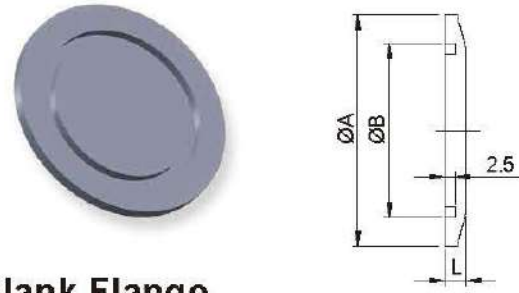
Characteristic:

- Easy Assembly and Quick Disassembly manually without tools-KF or NW assembly comprises two flanges, a center-ring, an O-ring and an aluminum clamp or stainless steel clamp with a wingnut fastener for quick and fast connection.
- Uniform Pressure to Effect Vacuum Seal Connection-15° taper surface of KF/NW flange allows uniform pressure to compress an O-ring, which is held in place by metal center-ring, by the clamp to generate a vacuum seal.

Material and Size

- Flanges, Blanks, Fitting: Material S.S.304
- Clamps: Material Aluminum or S.S. 304
- O-ring : Material Viton
- Sizes: KF10~KF160, JIS Standard: NW10~NW100

Materials S.S.304, 304L, 316L and Sizes can be customized per customers' designs and requirements.



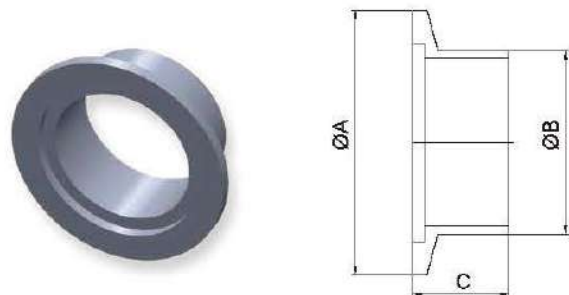
KF Blank Flange

SIZE	A	B	L
KF10	30	12.2	5.1
KF16	30	17.2	5.1
KF25	40	26.2	5.1
KF40	55	41.2	5.1
KF50	75	52.2	5.1
KF63	87	70	5.1
KF80	114	83	11.0
KF100	134	102	11.0
KF160	190	153	11.0



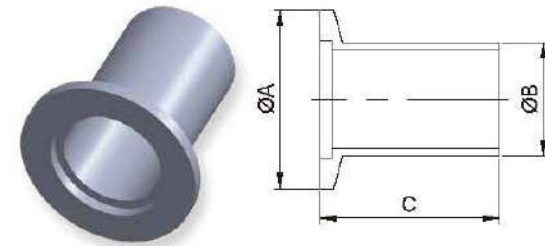
KF Bored Blank Flange

SIZE	A	B	C	D
KF10	30	12.2	5.1	12.9
KF16	30	17.2	5.1	19.3
KF25	40	26.2	5.1	25.7
KF40	55	41.2	5.1	38.4
KF50	75	52.2	5.1	51.0
KF63	87	70	5.1	63.7
KF80	114	83	11	76.4
KF100	134	102	11	101.8
KF160	190	153	11	152.9



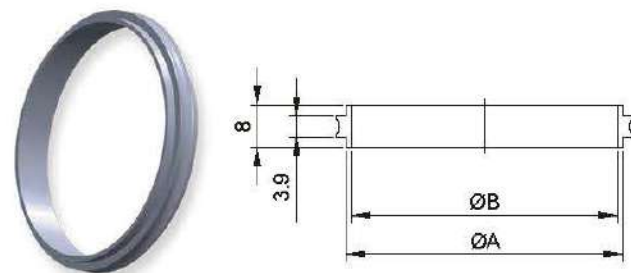
KF Short Weld Stub Flange

SIZE	Standard	A	B	C
KF10	U.S.A	30	12.7	12.70
KF16	U.S.A	30	19.1	12.70
KF25	U.S.A	40	25.4	12.70
KF40	U.S.A	55	38.1	19.10
KF50	U.S.A	75	50.8	19.10



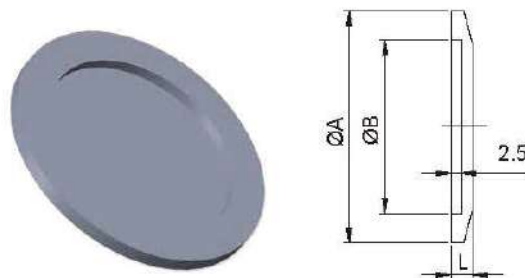
KF Long Weld Stub Flange

SIZE	Standard	A	B	C
KF10	U.S.A	30	12.7	40
KF16	U.S.A	30	19.1	40
KF25	U.S.A	40	25.4	40
KF40	U.S.A	55	38.1	40
KF50	U.S.A	75	50.8	40



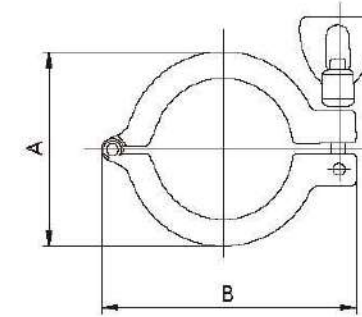
KF Center Ring

SIZE	A	B
NW10	12	10
NW16	17	16
NW25	26	25
NW40	41	40
NW50	52	50
NW63	69.6	67.5
NW80	82.5	79.8
NW100	101.6	100



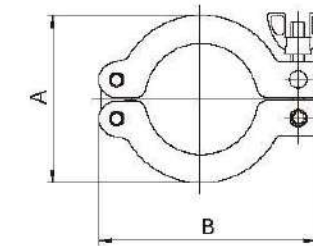
NW Blank Flange (JIS Type)

SIZE	A	B	L
NW10	30	12.2	5
NW16	30	17.2	5
NW25	40	26.2	5
NW40	55	41.2	5
NW50	75	52.2	5
NW63	87	70.2	5



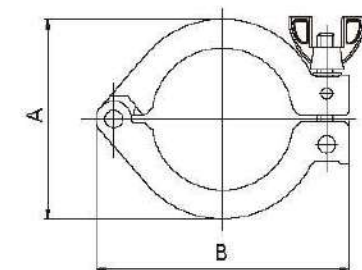
KF Single Pin Clamp

SIZE	Material	A	B
KF16	304S.S.	42.5	63
KF25	304S.S.	54	72
KF40	304S.S.	70	90
KF50	304S.S.	90	114



KF Double Pin Clamp

SIZE	Material	A	B
KF10	Aluminum+Ni-plated	45	61
KF16	Aluminum+Ni-plated	45	61
KF25	Aluminum+Ni-plated	55	72
KF40	Aluminum+Ni-plated	70	90
KF50	Aluminum+Ni-plated	95	123



KF Single Pin Clamp

SIZE	Material	A	B
KF16	Aluminum	42.5	63
KF25	Aluminum	54	72
KF40	Aluminum	70	90
KF50	Aluminum	90	114